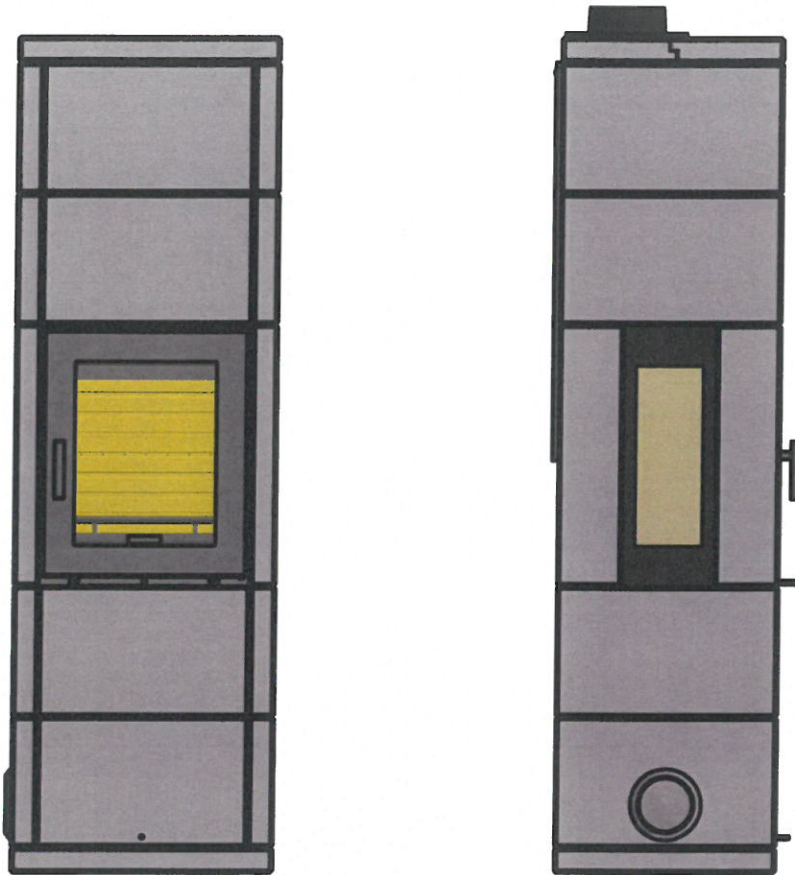


Kube 5 seksjoner - Wood/Pellets



Bak og sideuttak:

Rear/side outlet:

Abzug hinten und seitlicher Abzug: Ø=125 mm

Topputtak:

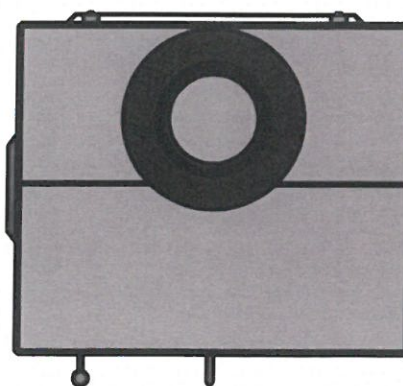
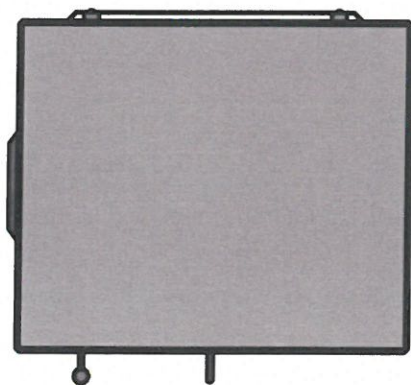
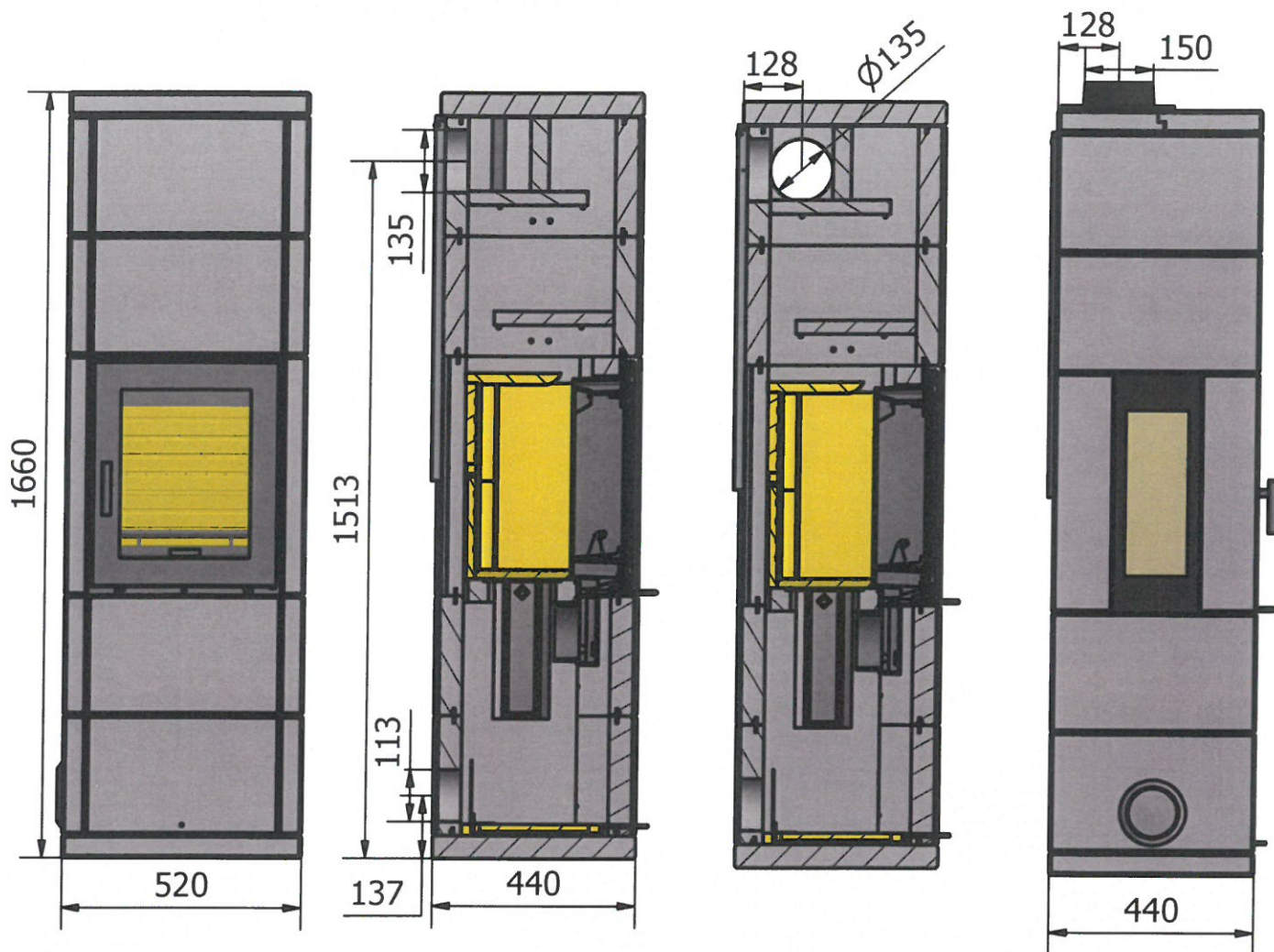
Top outlet:

Abzug oben:

Ø=150 mm

Designed by Frode Eggan	Checked by	Approved by	Date	Date 02.07.2024	
Norsk Kleber AS					
		Side 1	Edition	Sheet 1 / 1	

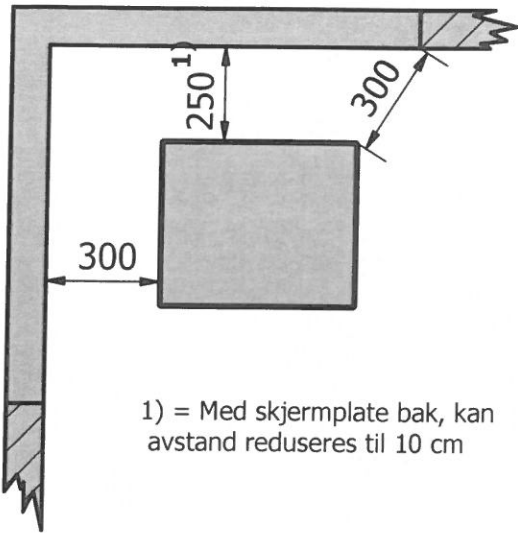
Kube 5 seksjoner - Wood/Pellets



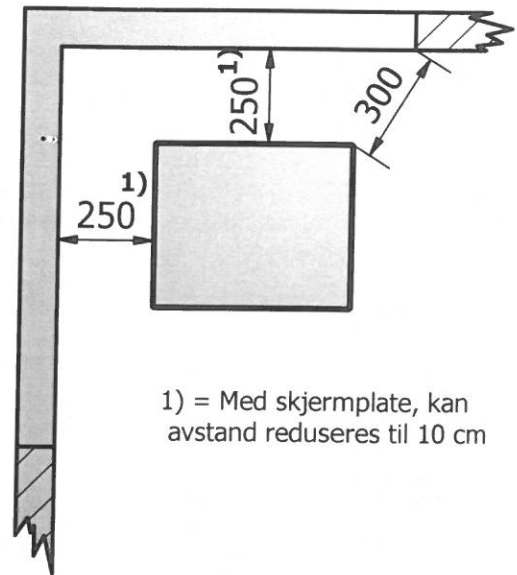
Designed by Frode Eggan	Checked by	Approved by	Date	Date 02.07.2024
Norsk Kleber AS			Side 2	Edition
				Sheet 1 / 1

Kube 5 seksjoner - Wood/Pellets

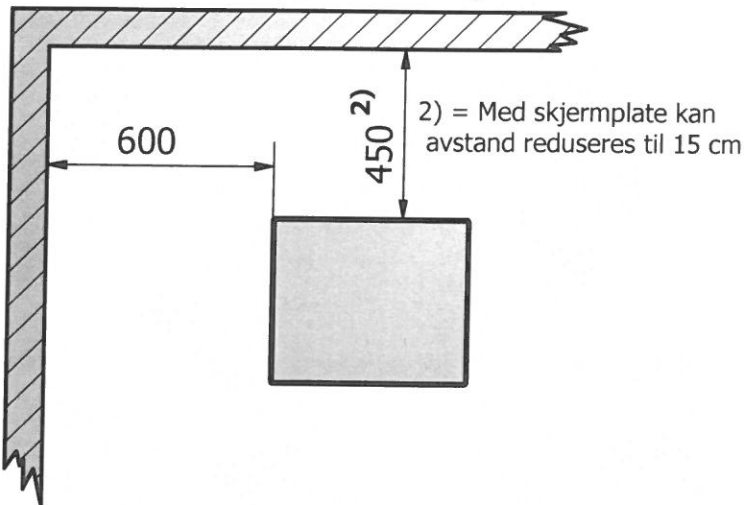
Avstand til brannmur med sideglass



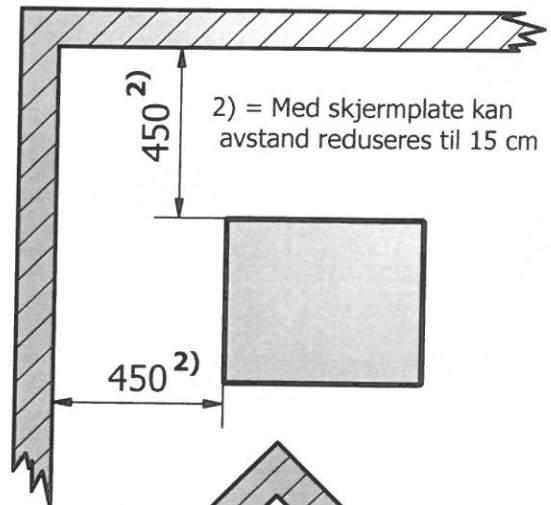
Avstand til brannmur uten sideglass



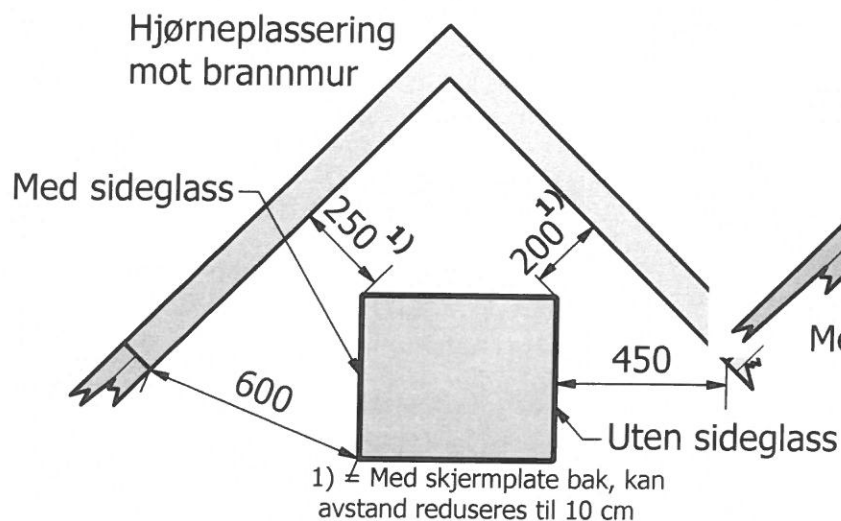
Avstand til trevegg med sideglass



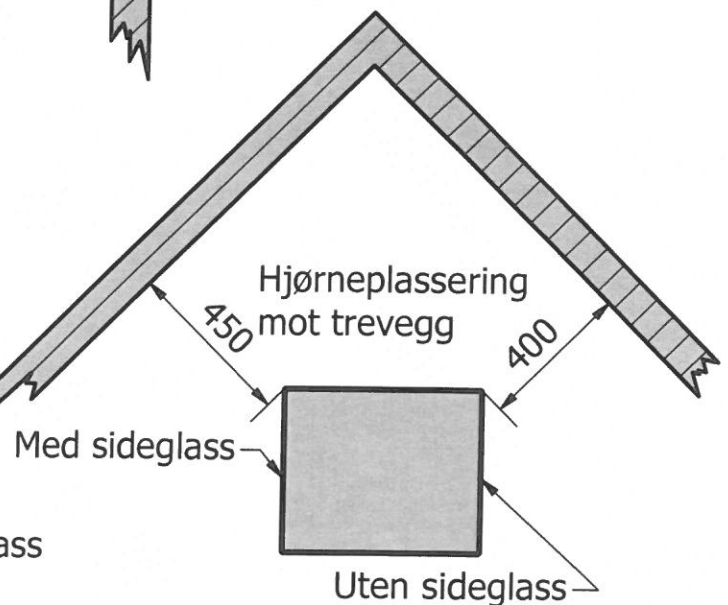
Avstand til trevegg uten sideglass



Hjørneplassering mot brannmur

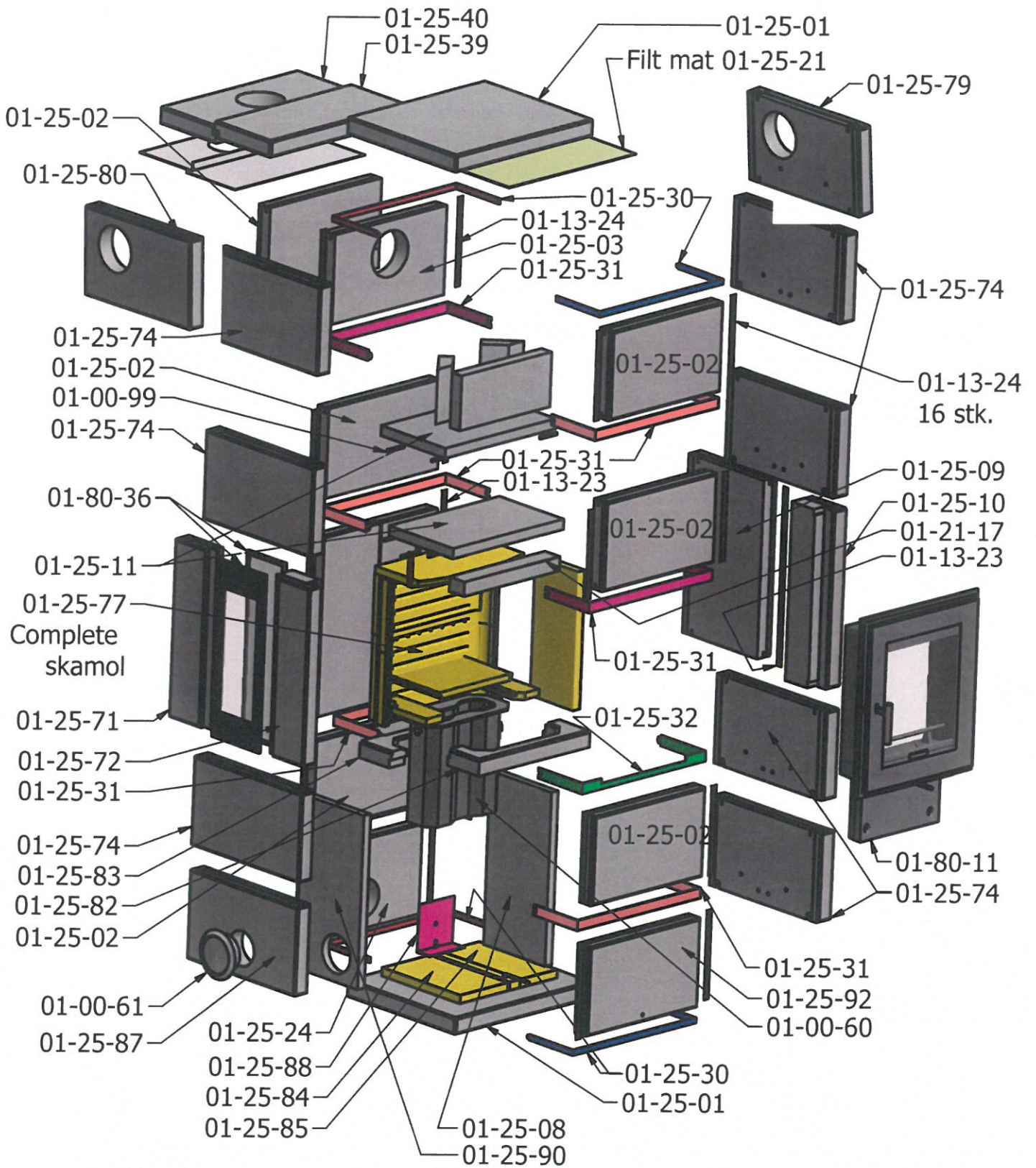


Hjørneplassering mot trevegg



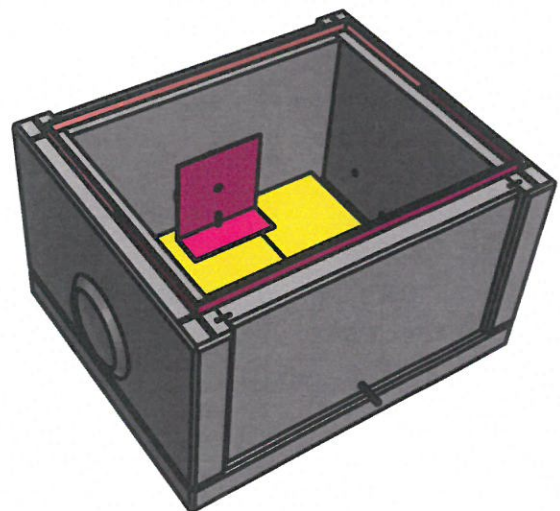
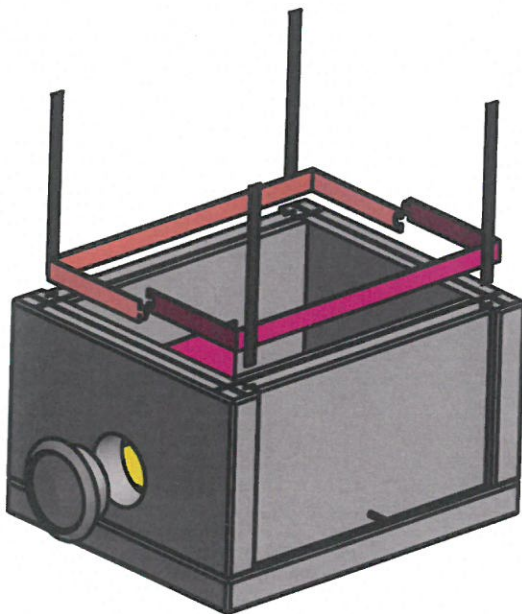
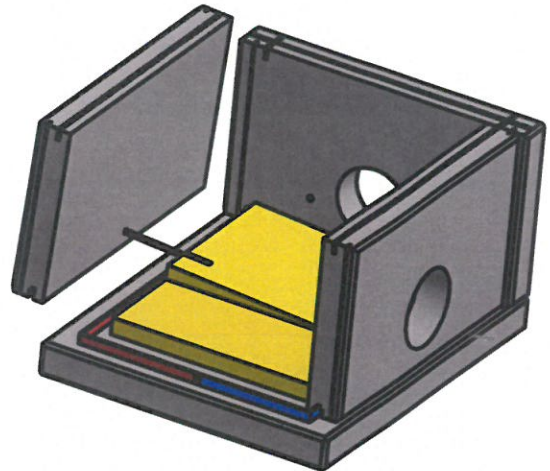
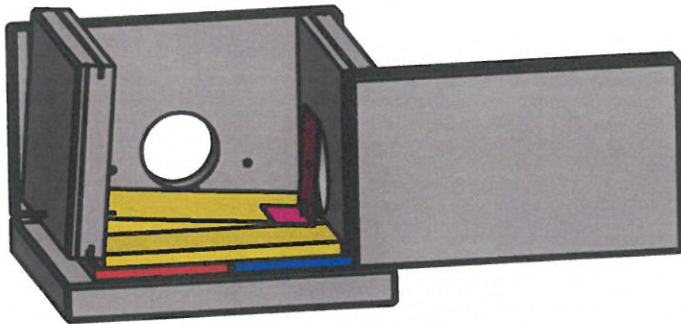
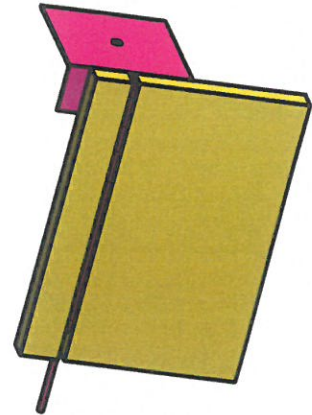
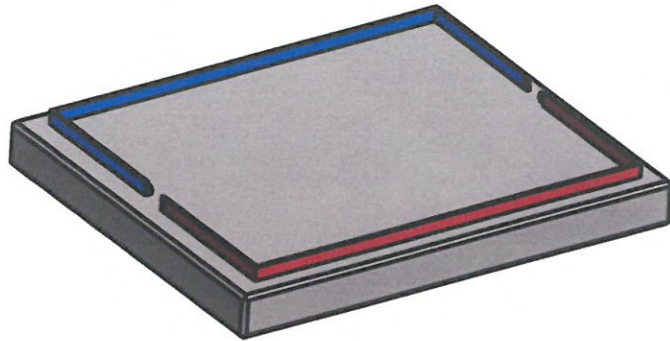
Designed by frode	Checked by	Approved by	Date 22/10-2018	Endret 22/10-2018	Date 15.09.2010	
Norsk Kleber AS			Inv. Tegn.-ovner-Kube			
			Side 3	Edition	Sheet 1 / 1	

Kube 5 - Wood/Pellets



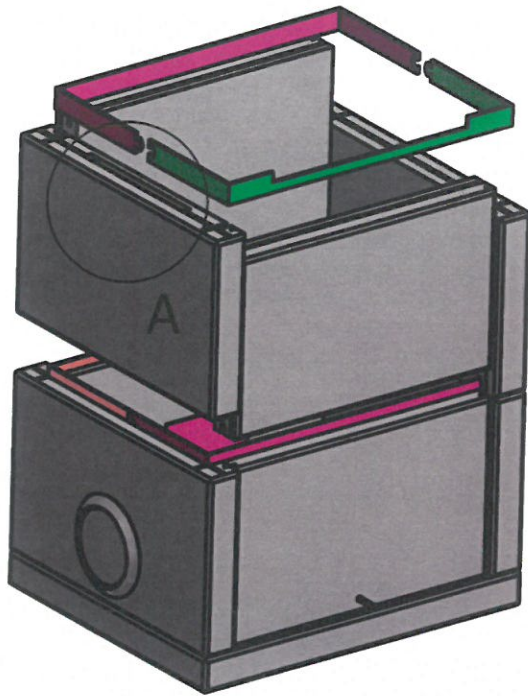
Designed by Frode Eggan	Checked by	Approved by	Date	Date 14.11.2023	
Norsk Kleber AS			Side 4		
			Edition	Sheet 1 / 1	

Kube 5 seksjoner - Wood/Pellets

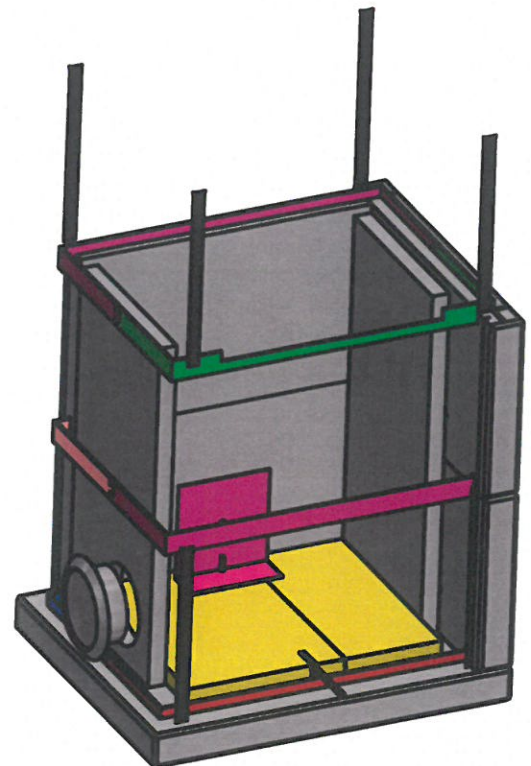
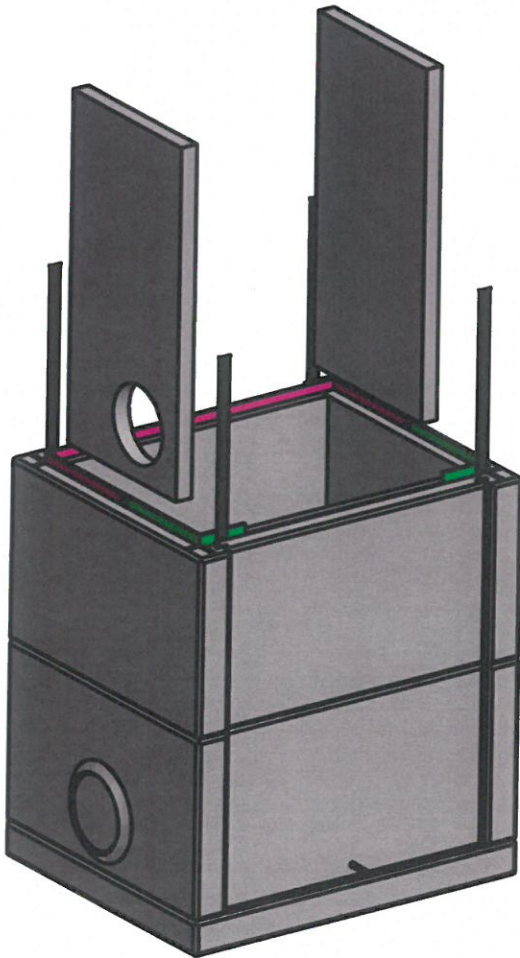
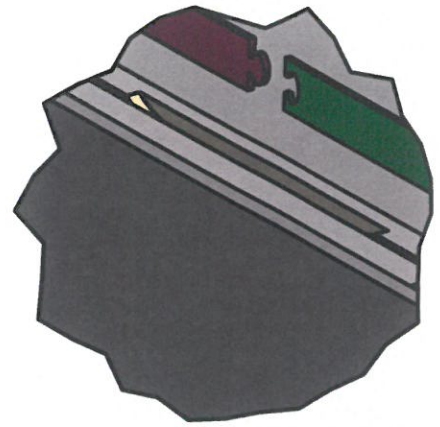


Designed by Frode Eggan	Checked by	Approved by	Date	Date 02.07.2024	
Norsk Kleber AS					
			Side 5	Edition	Sheet 1 / 1

Kube 5 seksjoner - Wood/Pellets

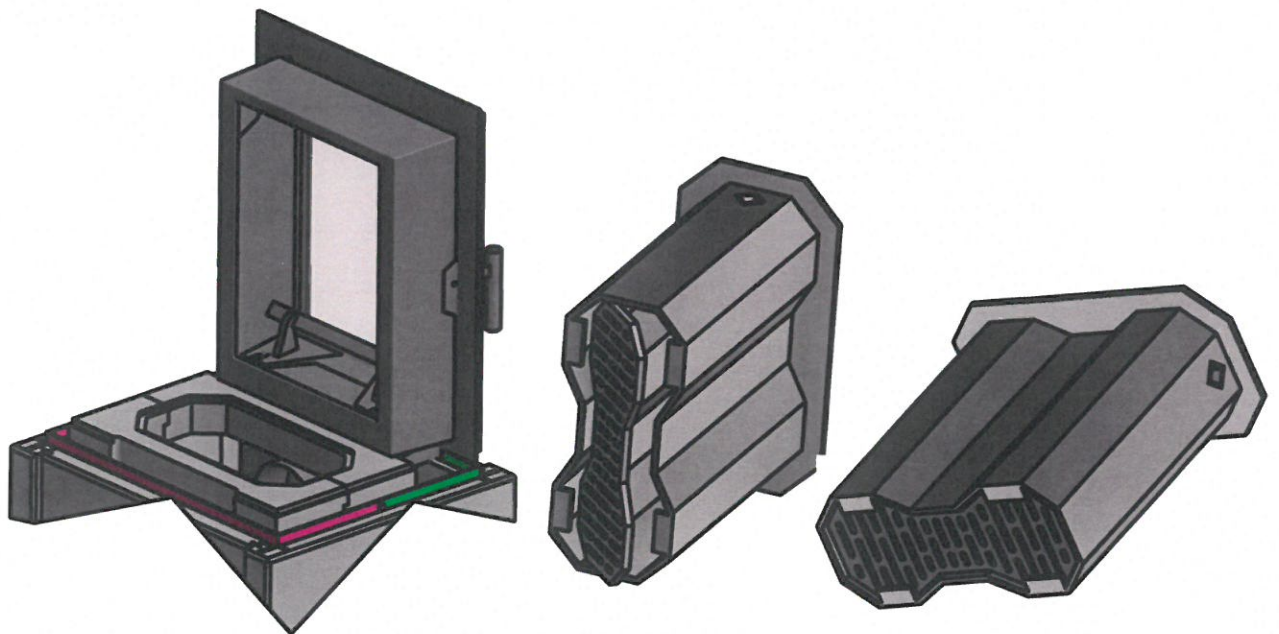
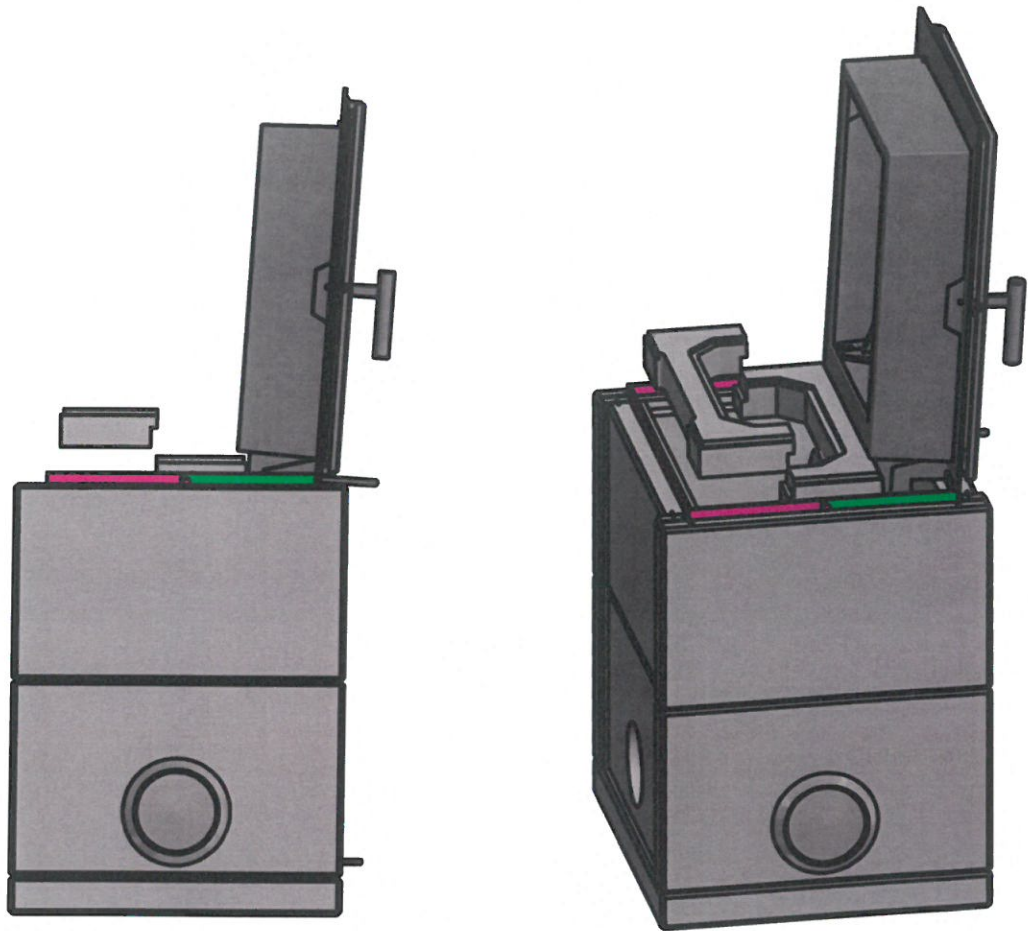


A (1 : 4)



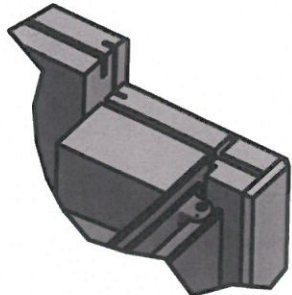
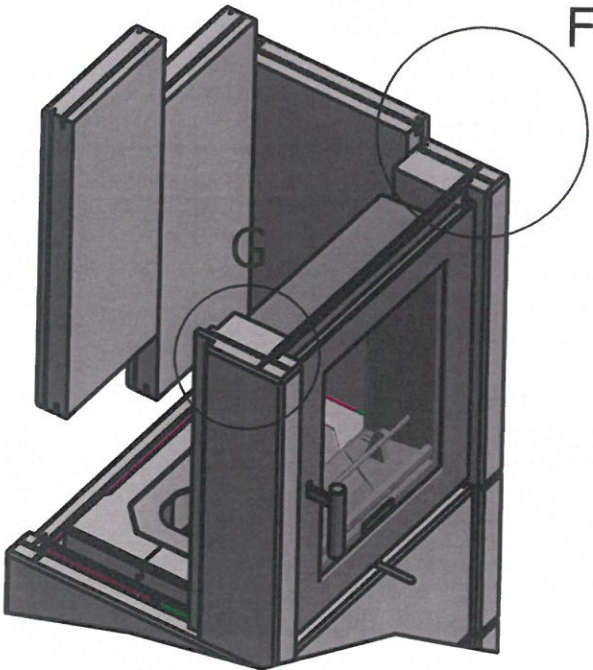
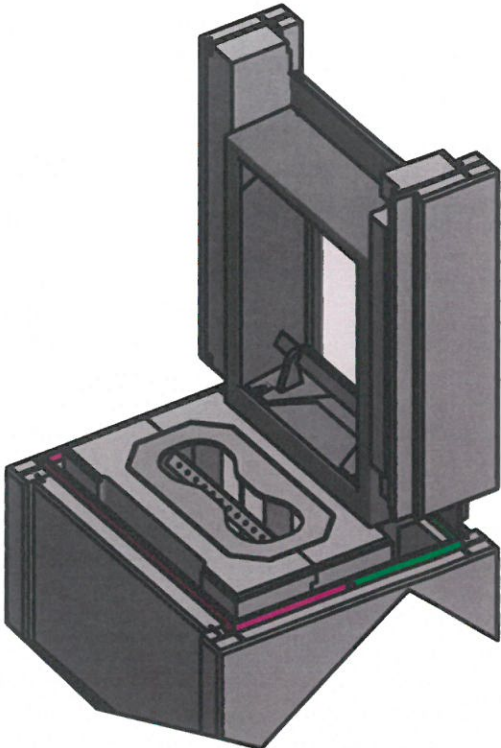
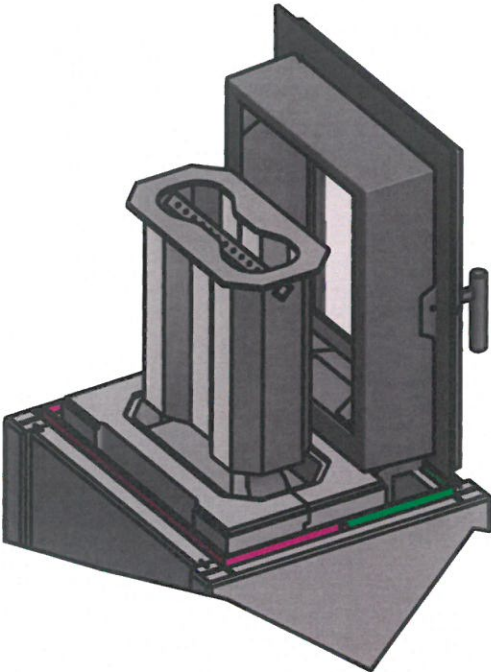
Designed by Frode Eggan	Checked by	Approved by	Date	Date 02.07.2024
Norsk Kleber AS			Side 6	Edition
				Sheet 1 / 1

Kube 5 seksjoner - Wood/Pellets

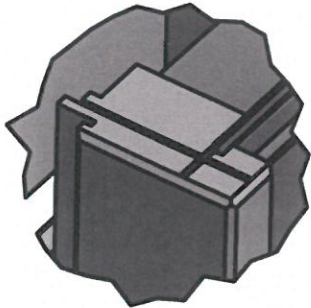


Designed by Frode Eggan	Checked by	Approved by	Date	Date 02.07.2024	
Norsk Kleber AS			Side 7		
			Edition	Sheet 1 / 1	

Kube 5 seksjoner - Wood/Pellets



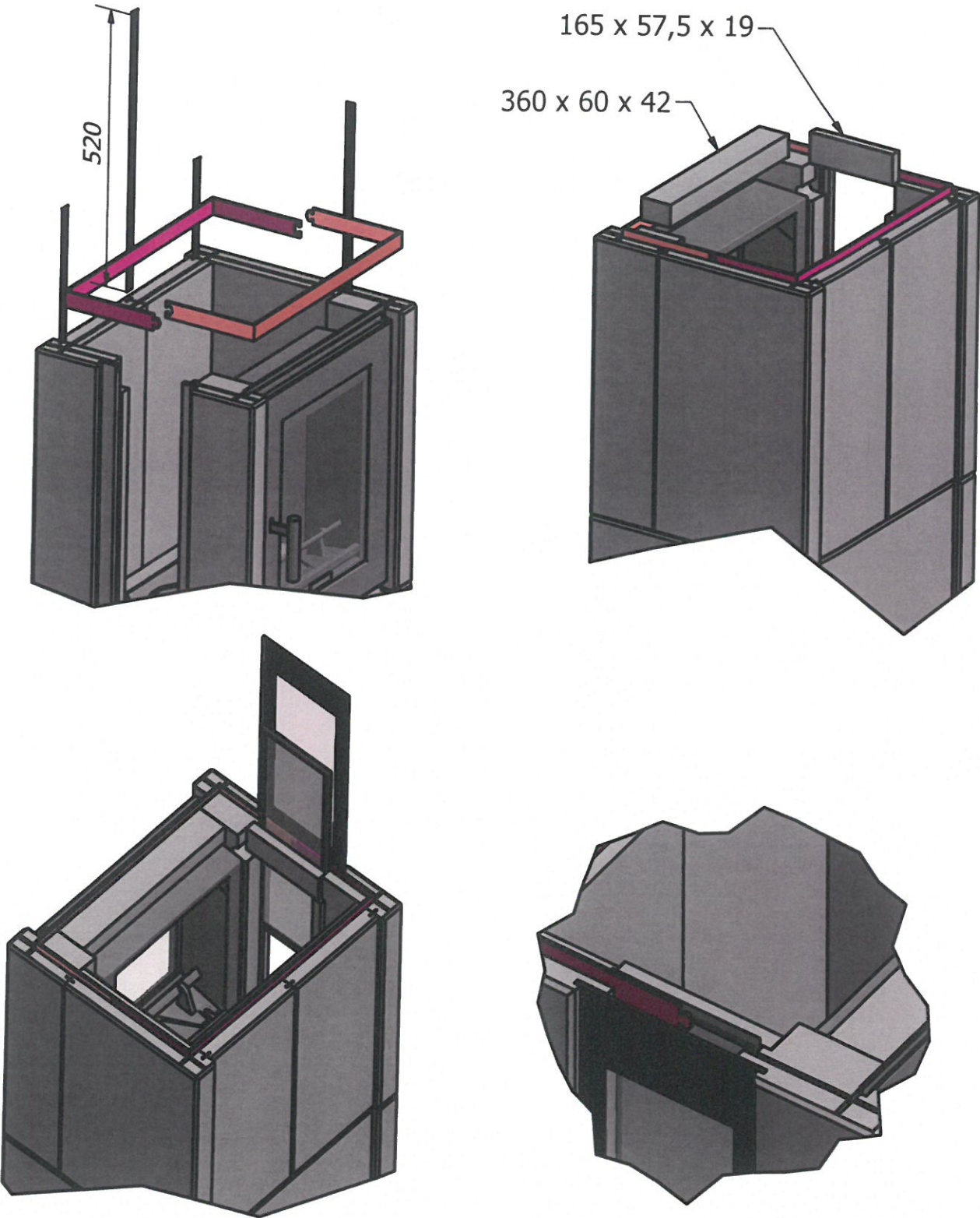
F (1 : 5)



G (1 : 5)

Designed by Frode Eggen	Checked by	Approved by	Date	Date 02.07.2024	
Norsk Kleber AS					
			Side 8	Edition	Sheet 1 / 1

Kube 5 seksjoner - Wood/Pellets



Designed by Frode Eggan	Checked by	Approved by	Date	Date	
				02.07.2024	
Norsk Kleber AS					
			Side 9	Edition	Sheet 1 / 1

Sealing of the inside of the stove.

All inside vertical and horizontal joints have to be sealed with the fire proof silicon provided. Start with the burn chamber section, before the yellow Skamol plates are being put in place. After putting the next section of stones on top of the burn chamber also seal all those joints. Do this for as many sections as there are above the burn chamber.

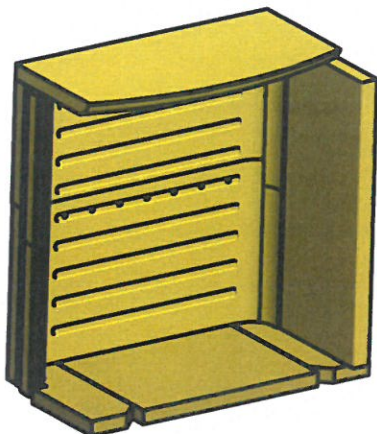
Protect your skin, use the provided gloves!

See pictures also.

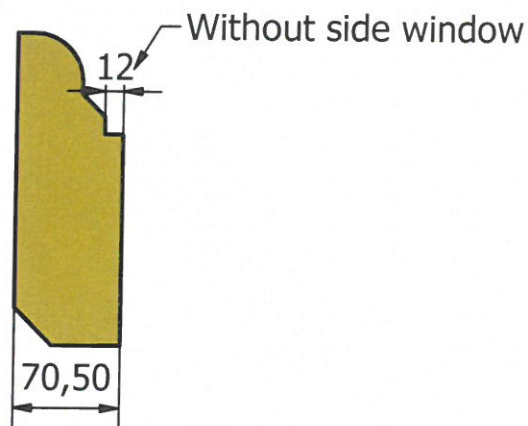
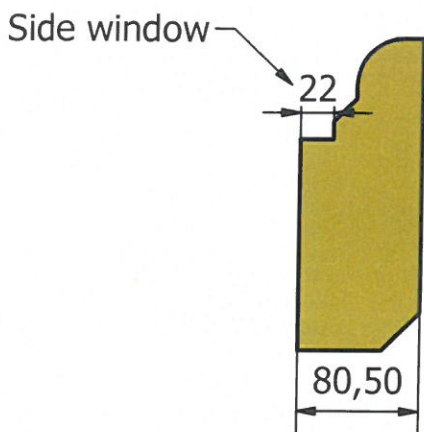
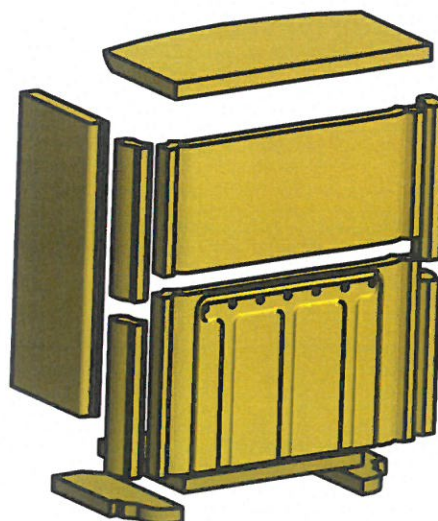
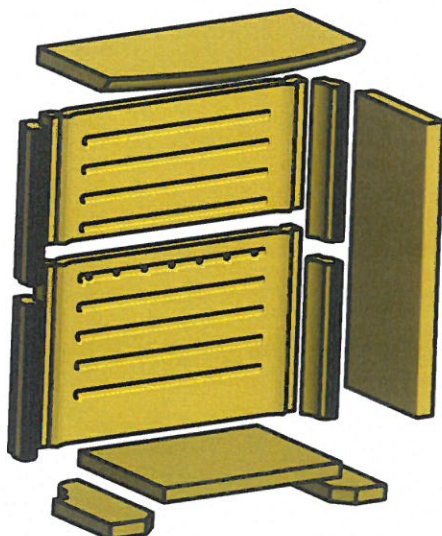
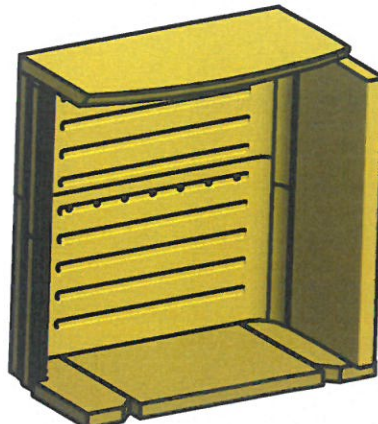


Kube 5 seksjoner - Wood/Pellets

Wood

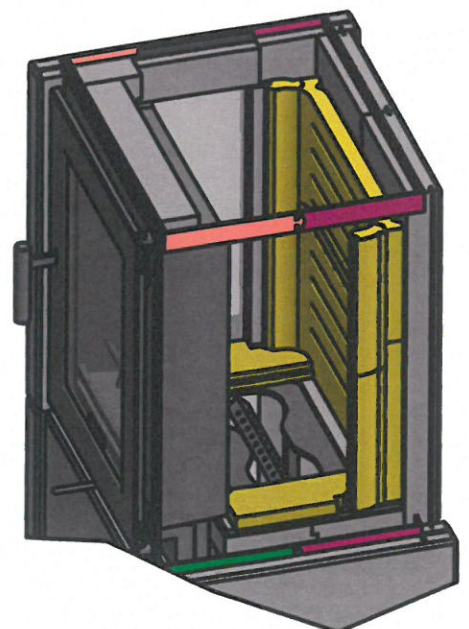
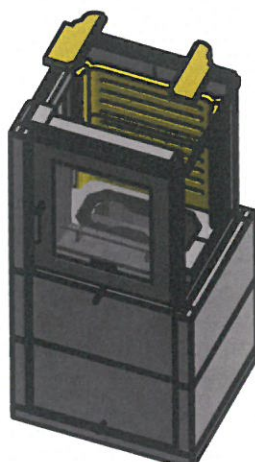
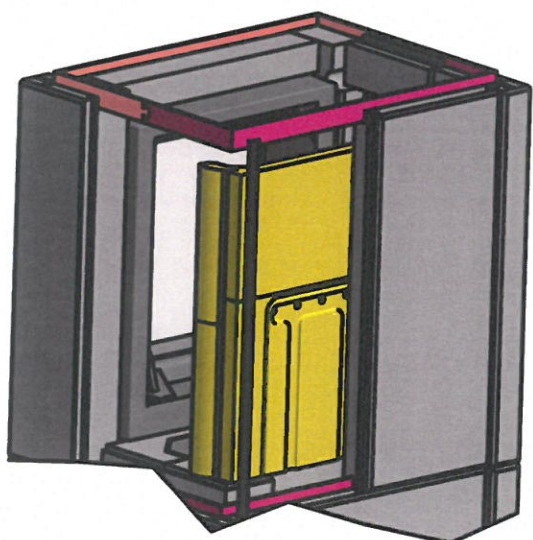
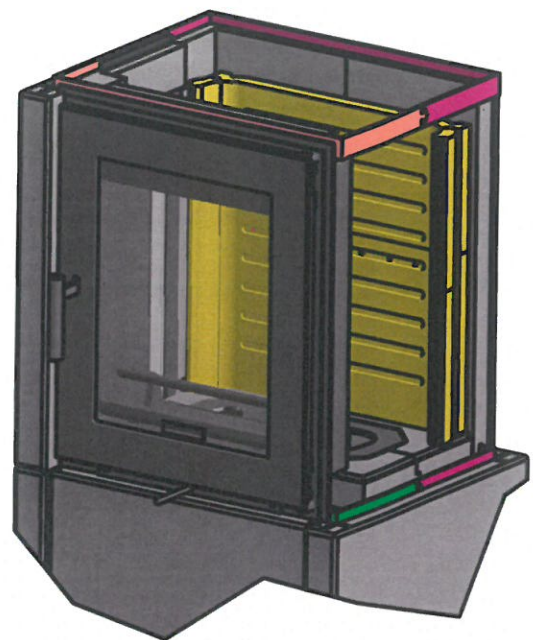
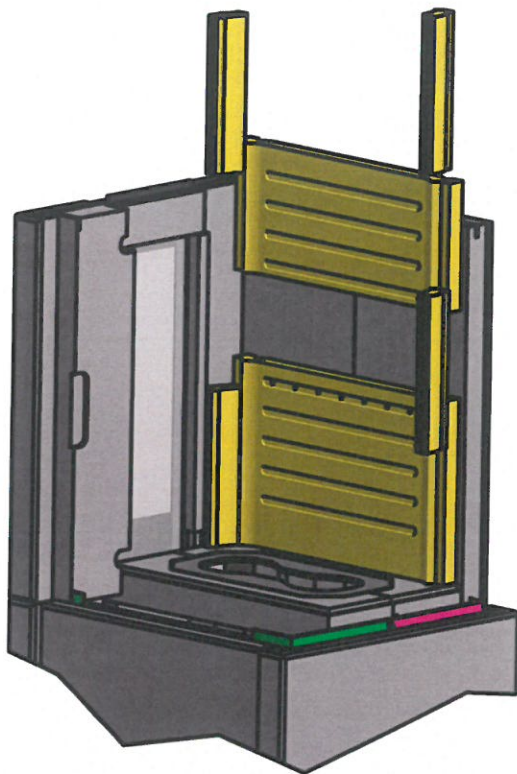


Pellet



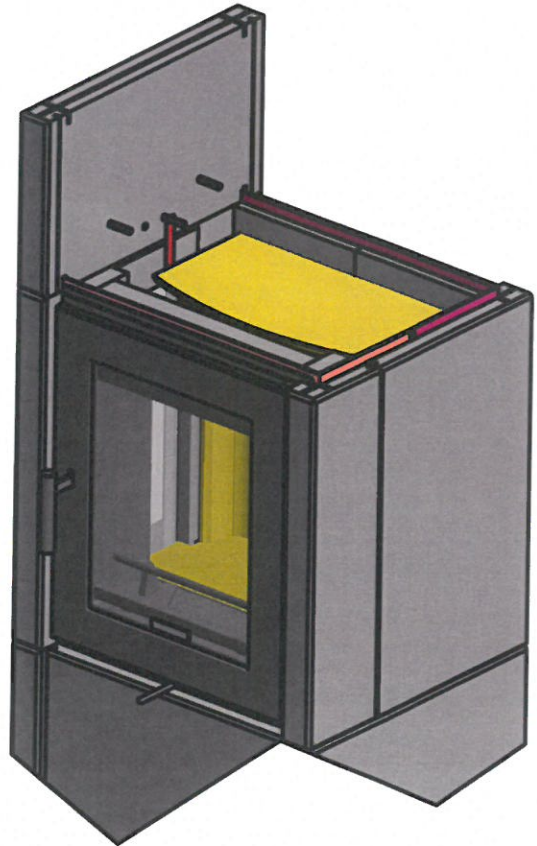
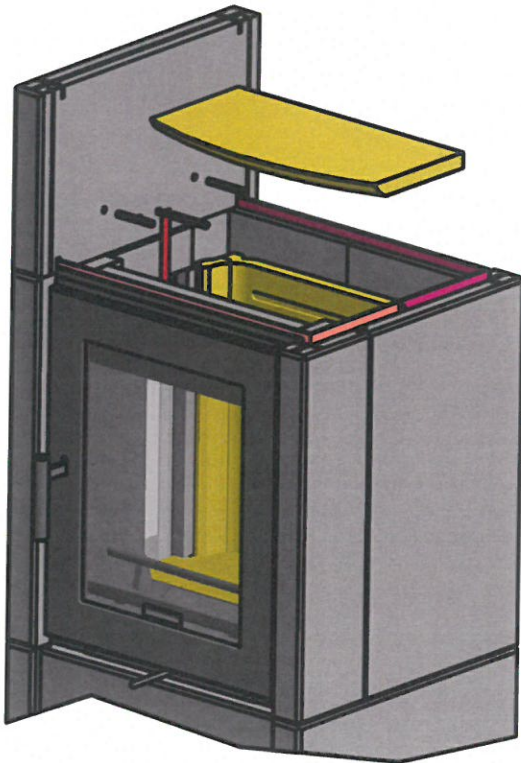
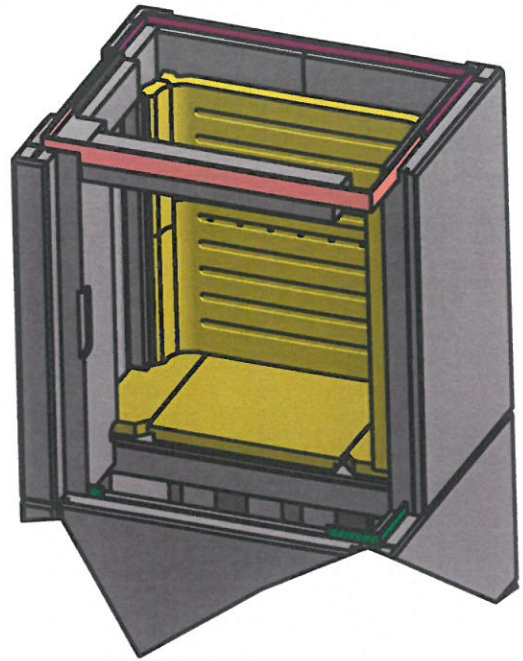
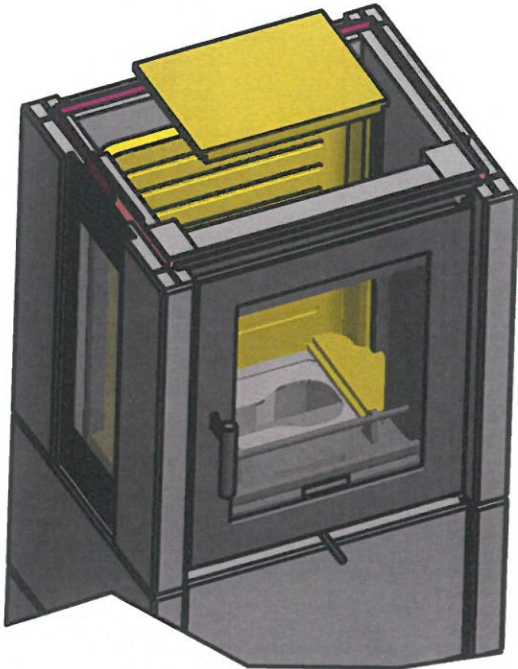
Designed by Frode Eggan	Checked by	Approved by	Date	Date 02.07.2024	
Norsk Kleber AS			Side 11		Edition
					Sheet 1 / 1

Kube 5 seksjoner - Wood/Pellets



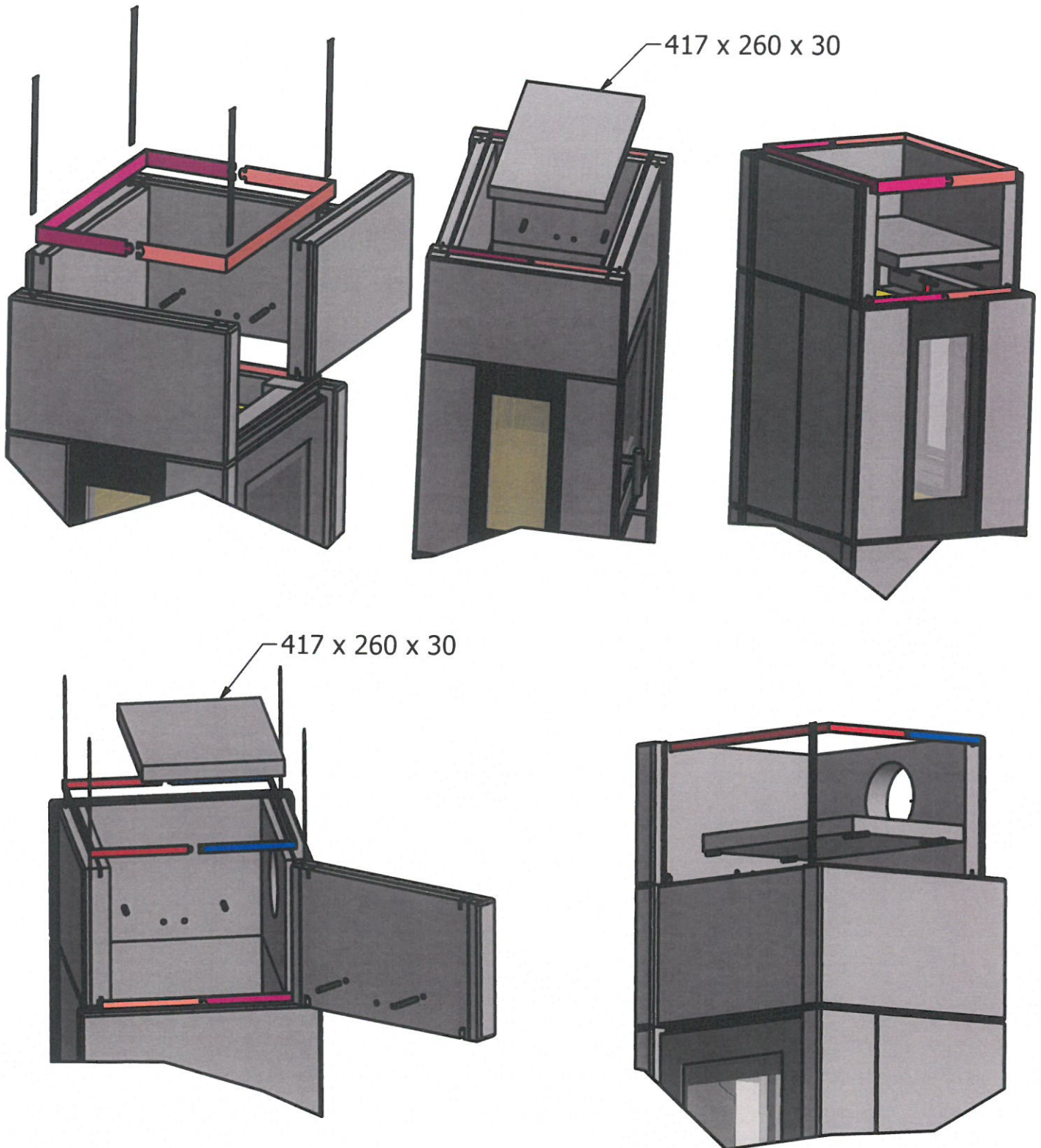
Designed by Frode Eggan	Checked by	Approved by	Date	Date 02.07.2024	
Norsk Kleber AS			Side 12		
			Edition	Sheet 1 / 1	

Kube 5 seksjoner - Wood/Pellets



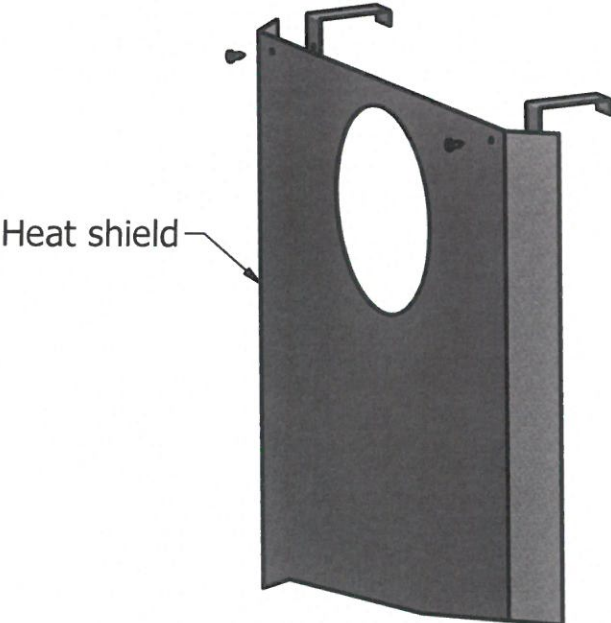
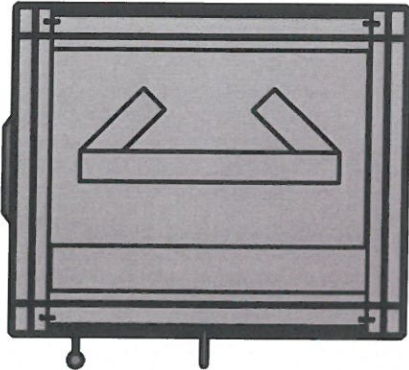
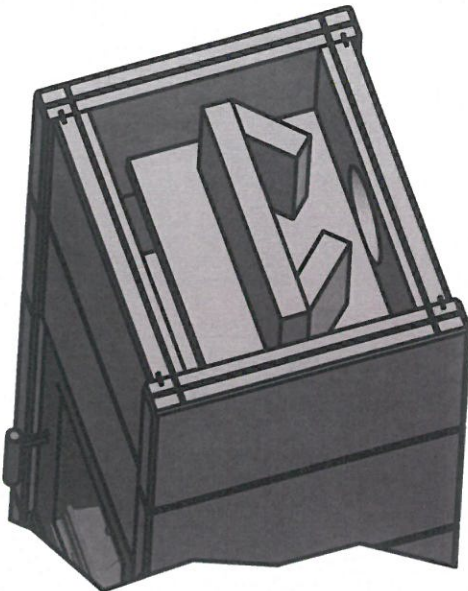
Designed by Frode Eggan	Checked by	Approved by	Date	Date 02.07.2024	
Norsk Kleber AS			Side 13		Edition
					Sheet 1 / 1

Kube 5 seksjoner - Wood/Pellets

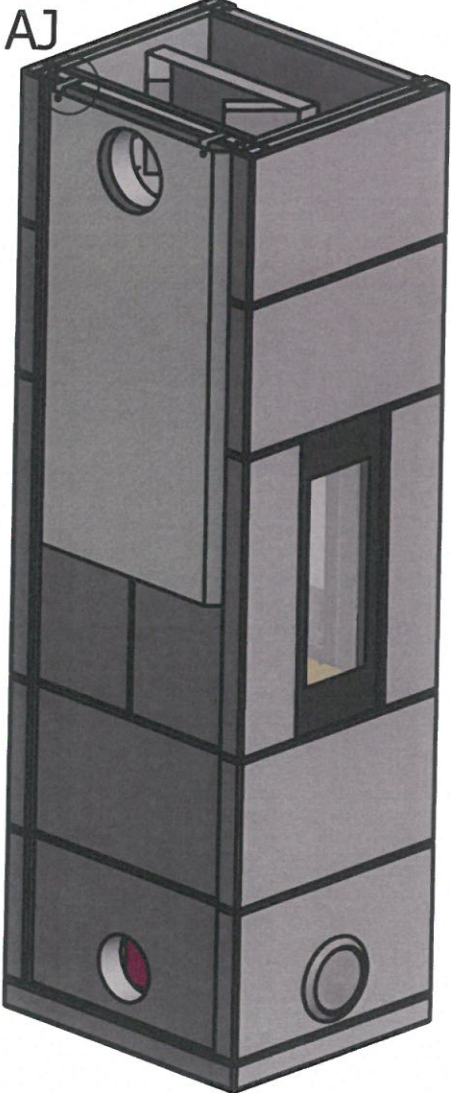
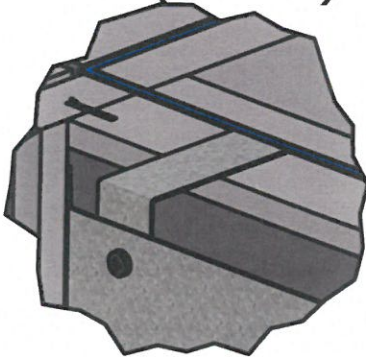


Designed by Frode Eggan	Checked by	Approved by	Date	Date 02.07.2024	
Norsk Kleber AS			Side 14		Edition
					Sheet 1 / 1

Kube 5 seksjoner - Wood/Pellets



AJ (1 : 2)

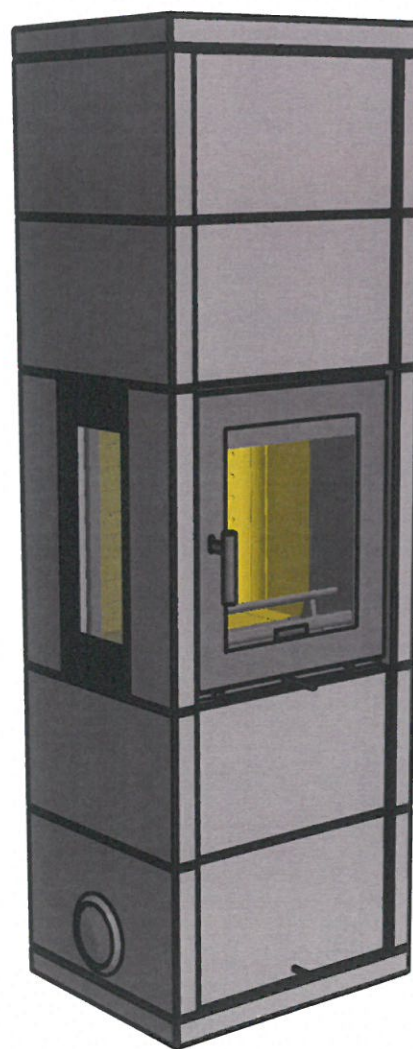
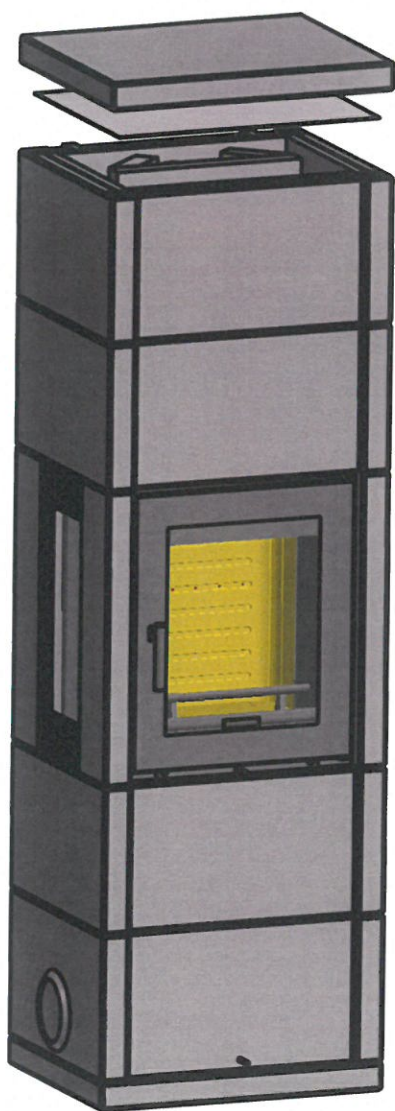
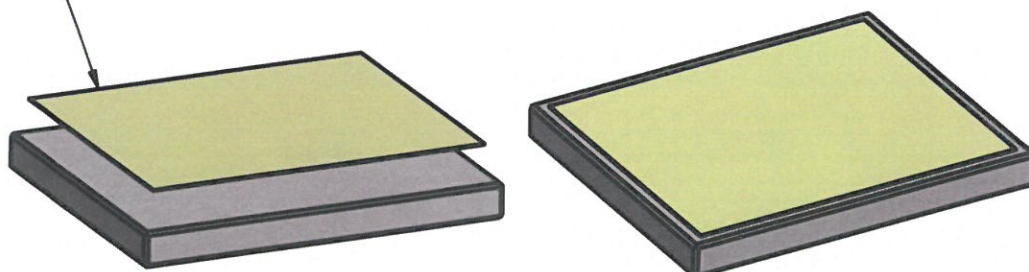


Designed by Frode Eggan	Checked by	Approved by	Date	Date 02.07.2024	
Norsk Kleber AS			Side 15		Edition
					Sheet 1 / 1

Kube 5 seksjoner - Wood/Pellets

Riv av gul folie, og lim den til topplaten.

Tear off the yellow foil and glue it to the top plate.



Designed by Frode Eggan	Checked by	Approved by	Date	Date 02.07.2024	
Norsk Kleber AS					
			Side 16	Edition	Sheet 1 / 1